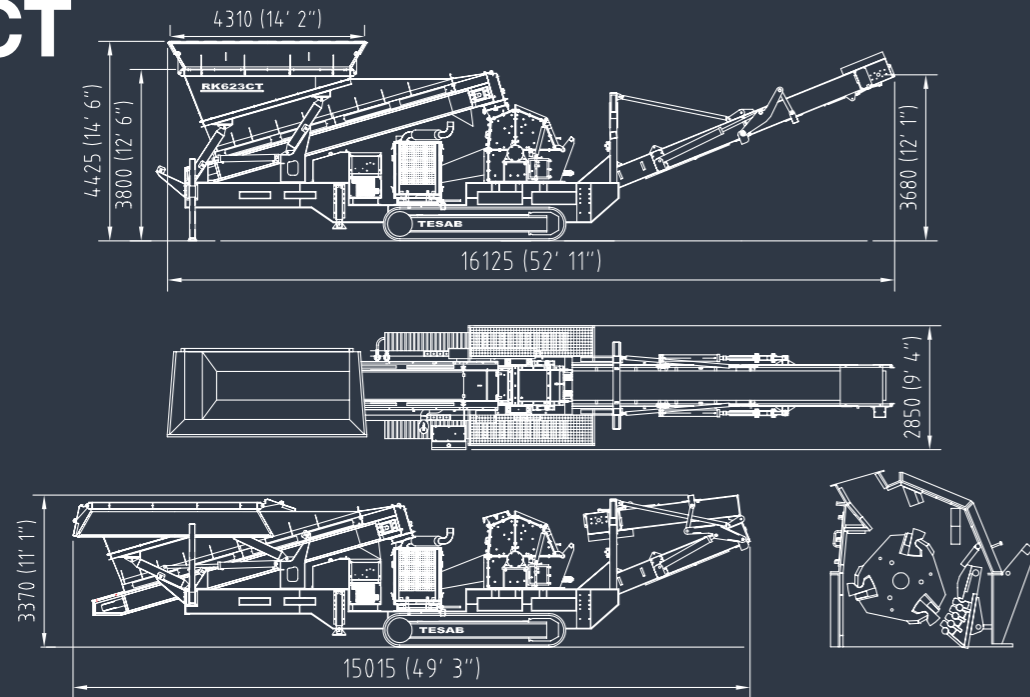
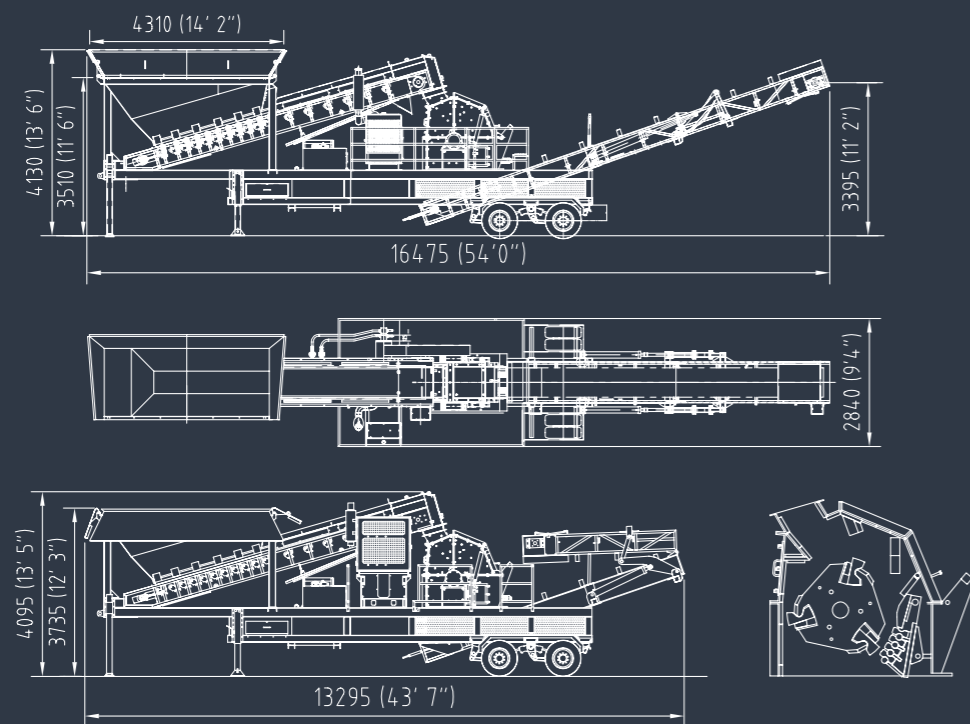


623CT



Machine Weight 26,000 kgs (57,320 lbs)

623S



Machine Weight 19,500 kgs (43,000 lbs)

TESAB ENGINEERING LTD.

Gortrush Ind Est | Omagh | Co.Tyrone | N.Ireland | BT78 5EJ

Tel: 0044 (0)28 8225 2781 | Fax: 0044 (0)28 8225 2801

Email: sales@tesab.com | Web: www.tesab.com

TESAB

See also **Impact Crusher Range** 1012T / 1012TS / 1412T / 623CT / 1012S / 623S.

Jaw Crusher Range 10570 / 10580, **Tracked Screen Range** TS2360 / TS2600 / TS3600 / TS1550 & **Trackstack Material Handling Range.**

IMPORTANT NOTE:

Please note that these are liable/subject to change due to machine specifications and developments, this information has been supplied based on the information to date.

623 Range Compact Impact Crusher

TESAB



Built for Power. Engineered to Last.

Built for Power. Engineered to Last.

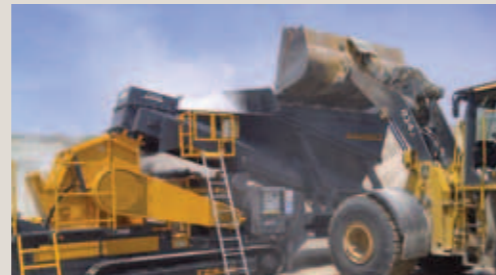
The Tesab 623 Range of Compact Impact Crushers are designed for mobile operators requiring a high quality and affordable crushing solution producing consistent and high quality end product. The units incorporate a 6m³ direct feed hopper with a compact impact crusher as standard. Designed for both secondary and tertiary work the units can work standalone or integrate easily into existing crushing and screening operations. Both tracked and wheeled options are available.

- ▶ Designed for maximum mobility and quick and easy setup
- ▶ 800mm (32") Wide Fully Skirted Feed Belt with High Torque Reduction Gear Drive
- ▶ 3 Hammer Rotor and Final Bar Carrier produces a High Quality, Cubical End Product, with an Excellent grade of sizes for Concrete and Asphalt
- ▶ Close Control and Versatility to produce Single Sized and Different sized Aggregates.
- ▶ Can Crush a wide variety of materials from gravel, glass, rock, coal and Does not need to be Choke Fed.
- ▶ High Quality and Wear Resistant Materials in Crusher for Affordable Cost per Ton
- ▶ Hydraulically Adjustable for Ease of Operation
- ▶ All Designed for Rapid Setup and Easily moved between Jobsites
- ▶ Can also be used as a Secondary or Tertiary Crusher and Integrates easily into Existing Setups

Optional Extras:

- Hydraulic Clutch
- Dust Suppression Spray Bars
- Dust Covers
- Working Lights
- Automatic Lubrication System
- Metal Detector & Picking Platform
- Belt Weigh Scales
- Screen box on End of Conveyor
- Hydraulic Remote Tipping Reject Grid

TESAB



Material Fed Into Direct Feed-in Hopper



The Material to be Crushed is conveyed to the 623 Crushing Chamber



Crushed Material Exits Crusher and up Product Conveyor



Applications Include Crushing Oversize Material...



...and as a secondary crusher after a Primary Jaw Crusher

THE HIGH MOBILITY AND VERSATILITY OF THE 623 COMPACT RANGE, OFFER OPERATORS AN AFFORDABLE CRUSHING SOLUTION THAT CAN INTEGRATE INTO EXISTING PLANT OR STANDALONE OPERATION.



623S Wheeled Version

623S Wheeled Version

Standard Features:

Heavy Duty Tesab Design & Build

Wheeled Chassis with KingPin for RoadTow

Large Direct Feed In Hopper for Material Loading

1068mm (42") Diameter Rotor

Two Aprons & Final Bar Carrier for Increased Reduction Ratio and Control over end Product

Hydraulic Folding Conveyors

Direct Drive Crusher for Fuel Savings

150 Tons Per Hour Capacity



623CT Tracked Version

623CT Tracked Version

Standard Features:

Heavy Duty Tesab Design & Build

Tracked Chassis for Maximum Onsite Mobility

Hydraulic Folding Hopper Design for Rapid Setup

1068mm (42") Diameter Rotor

Two Aprons & Final Bar Carrier for Increased Reduction Ratio and Control over end Product

Hydraulic Folding Conveyors

Direct Drive Crusher for Fuel Savings

150 Tons Per Hour Capacity



Screen box on End of Conveyor



623CT Hydraulic Folding Hopper for Transport



623CT Rotocruiser
1412T Rotocruiser

623CT used to close circuit screening plant